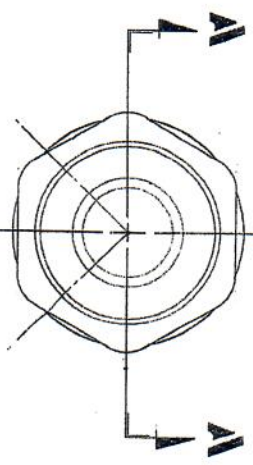
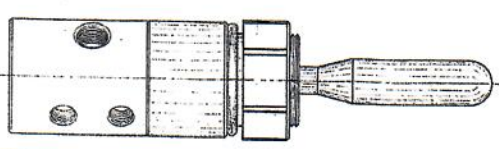


P/N 95564

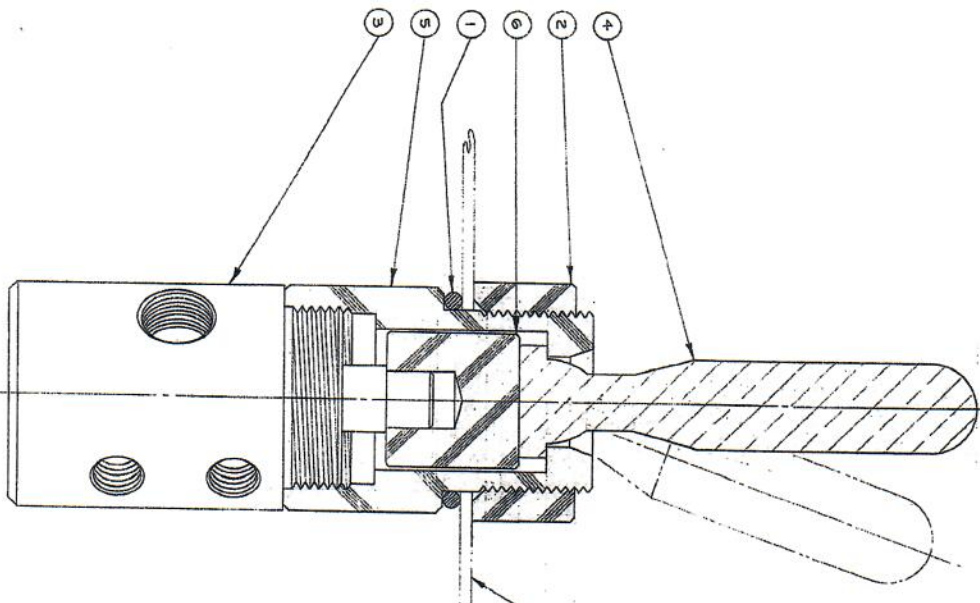


*This Assembly is Used On:*  
 92539  
 92030  
 95028



FULL SIZE:

PRINT DISTRIBUTION	
ENGINEERING	/
MARKETING	/
CUSTOMER	
MACHINE SHOP	/
PLASTIC SHOP	
SHEET METAL SHOP	
PRODUCTION	2
SHIPPING	
QUALITY CONTROL	1



REPRESENTATIVE OF LF-310  
 STAINLESS STEEL TOILET  
 SHELL.

SECTION A-A

REV.	CHANGE	BY	DATE
A	UPDATED PART NOS.	DAVE MANN	12/19/76
B	ITEM 3 UNL. 42372	W. J. DEC.	12/19/76
C	CHANGED PER C.E.N.		
D	EDU # 325		
E	2877820		

ITEM	PART NUMBER	DRAWING NO.	DESCRIPTION	NO. PROD.	NO. IN STK.
1	27232		0" RING, 2-120.	1	1
2	99017	2823	HOLDOWN NUT - CHEVOME	1	1
3	92562		PILOT VALVE W/90° PORTS	1	1
4	40981	C-1821	PILOT VALVE HANDLE.	1	1
5	40992	C-2022	EXTENSION ADAPTER.	1	1
6	40993	C-2020	SHAFT EXTENSION.	1	1

**Microphor** INC. P.O. BOX 490  
 WILLITS, CALIF. 95490

TITLE: *Lever Flush Actuator w/90° Ports assy no 95564*

DATE: FEB. 13, 1976  
 CHECKED BY: [Signature] APPROVED BY: [Signature]

DRAWING NUMBER: C-2023