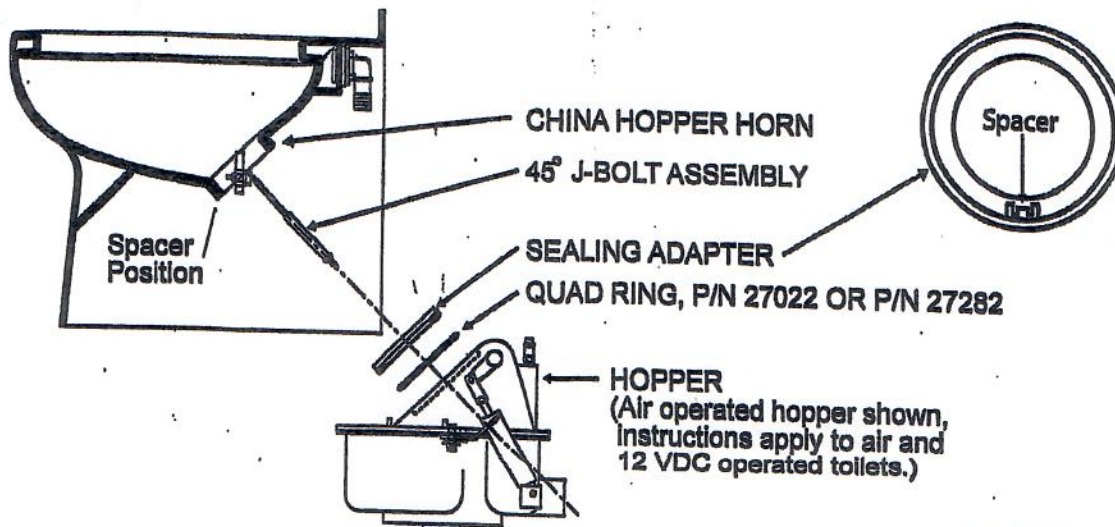


# HOPPER SEAL CONVERSION KIT, P/N 24770-3



File: 24523-3

If your toilet currently has a sealing adapter installed, only the quad ring needs to be replaced.  
Note: Two quad rings are supplied with this kit. For toilets manufactured before 10/1/04, use the smaller diameter quad ring (P/N 27282).

*Lubricate Quad Ring with lubricant 26856 provided.*

## INSTALLATION INSTRUCTIONS

To install sealing adaptor on toilets without one currently installed.

1. Remove toilet from floor. Place toilet upside down on a sheet of cardboard or other padded surface.
2. Remove nuts from J-bolts on either side of Hopper, lift hopper away from bowl. Remove and discard old 90 degree J-bolts, hopper and associated hardware.
3. Using a putty knife and razor blade, remove all silicone and wax (older models) from around china horn. Be sure all surfaces are clean and dry.
4. Check that horn surface is flat; touch up with a grinding stone as necessary.
5. Glue Seal Adapter to china hopper horn using 3M 5200 caulk. Be sure adapter is centered on china horn by placing the spacer side of the seal adapter on the bottom of the china hopper horn. Check spacer to assure a smooth transition between china and spacer. Spacer may need to be trimmed or removed depending on china.
6. Install new 45 degree J-bolts (P/N 90899-5 for air toilets, P/N 90899-3 for 12 VDC Toilets; ordered separately). For air operated toilets, offset J-bolt goes on air cylinder side. Be sure upper end (china side) of J-bolts are tight.
7. Install new hopper (ordered separately), sliding the hopper over the J-bolts on either side of the hopper. Prior to final tightening, check and reposition seal adapter to be centered on the china hopper horn, assuring a good, smooth transition from china with hopper.
8. Tighten hopper firmly in place with the nuts. **MAKE SURE J-BOLTS ARE TIGHT AND PULLED TIGHT TO BOTTOM OF CHINA MOUNTING!** Hopper should not move when properly tightened. Allow toilet to sit 24 hours before installation to allow 5200 caulk to begin set-up.
9. Re-install toilet.



452 East Hill Road  
Willits, CA 95490 USA  
Tel: 707.459.5563  
Tel: 800.358.8280

Fax: 707.459.6617  
www.microphor.com  
www.wabtec.com

Form: 24523-3  
Rev: 02/05