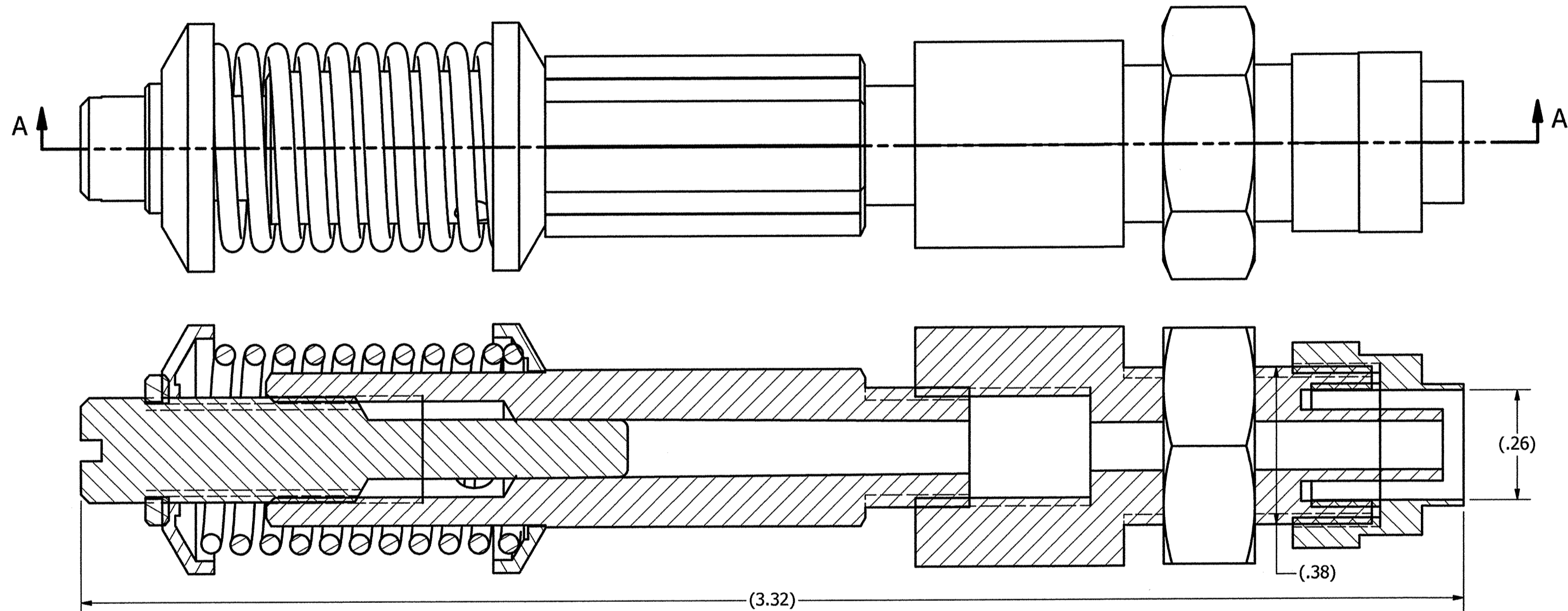
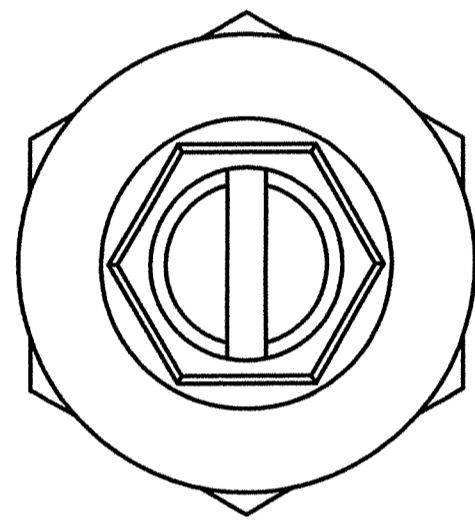
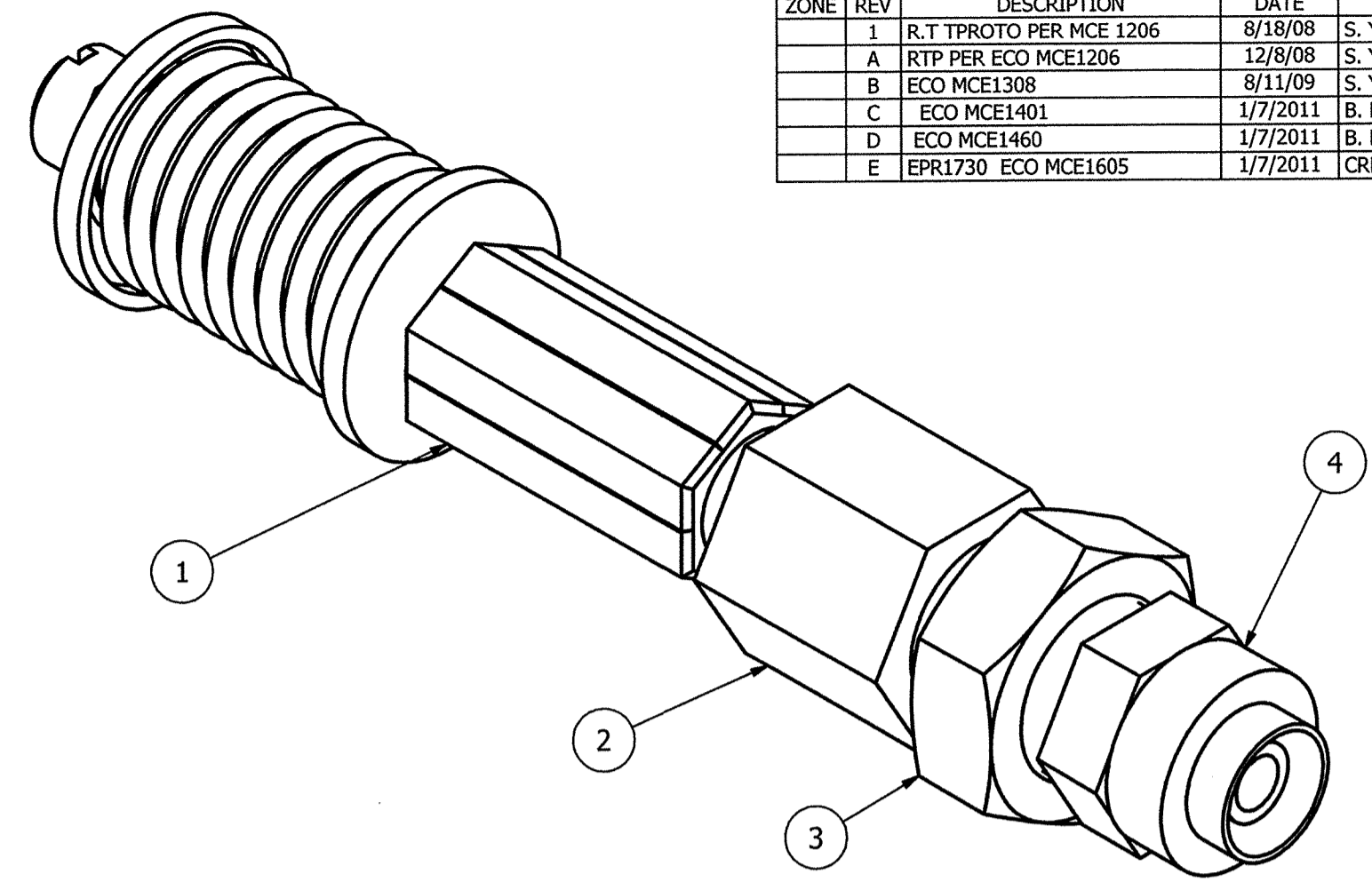


REVISION HISTORY				
ZONE	REV	DESCRIPTION	DATE	APPROVED
	1	R.T TPROTO PER MCE 1206	8/18/08	S. YOUNG
	A	RTP PER ECO MCE1206	12/8/08	S. YOUNG
	B	ECO MCE1308	8/11/09	S. YOUNG
	C	ECO MCE1401	1/7/2011	B. MADRIGAL
	D	ECO MCE1460	1/7/2011	B. MADRIGAL
	E	EPR1730 ECO MCE1605	1/7/2011	CRF



SECTION A-A
SCALE 4 : 1

APPROVALS		
	INITIALS	DATE
PROJECT ENGINEER	<i>[Signature]</i>	1/11/11
MANUFACTURING	<i>[Signature]</i>	1-11-11
QUALITY ASSURANCE	<i>[Signature]</i>	1/11/11

ITEM	PART NUMBER	QTY	UNITS	WEIGHT	DESCRIPTION	DWG NUMBER
5	26720	.001	Each	.06	SEALANT, PIPE JOINT	
4	30396	1	Each	.01	NUT & FERRULE	
3	00123	1	Each	.01	HEX JAM NUT, 3/8-16 UNC, BRASS	
2	39398	1	Each	.04	REMOTE BLEED-OFF PLUG BODY	39398
1	39521	1	Each	.06	INTEGRAL SPEED CONTROL SPRING LOADED ASSEMBLY	39521

PARTS LIST						
UNLESS OTHERWISE SPECIFIED, DIMS ARE IN INCHES		ALL DIMENSIONS, TOLERANCES, SYMBOLS AND ABBREVIATIONS PER APPLICABLE ANSI-STDs.				PART NO. 39520
MATERIAL		- GENERAL DRAWING TOLERANCES - .X ± .1 .XX ± .03 .XXX ± .015				
HEAT TREAT		ANGLES ±0.5° MACHINED FINISH ✓		REMOTE AIR BLEED-OFF ASSEMBLY AIR & WATER SEQUENCE VALVE		
NEXT ASSY	USED ON	FINISH	DRAWN	DATE	CAGE CODE NO.	SHEET SIZE
APPLICATION			C FROST	1/6/2011	1R700	C
			PROJ. ENG.	1/6/2011		
			W PAULSON			
			MFG	1/6/2011		
			M CLARK			
				SCALE	DRAWING NO. 39520	
				N/A	REVISION E	
					SHEET 1 OF 1	

NOTE:
1. USE ITEM 5 SEALANT SPARINGLY TO AVOID PLUGGING BLEED-OFF AIR SUPPLY